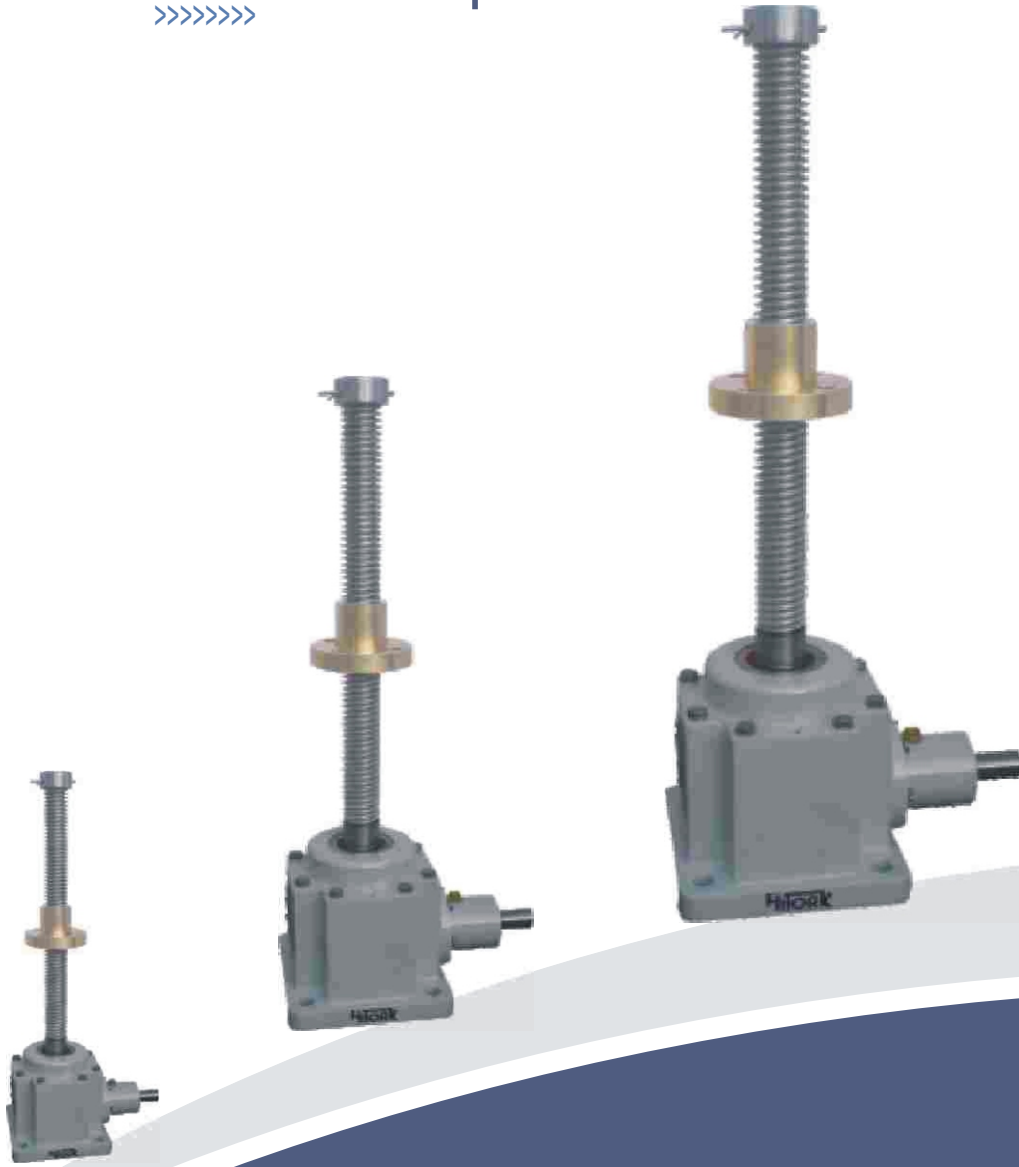


Bevel Gear Jack - Imperial

>>>>>>>



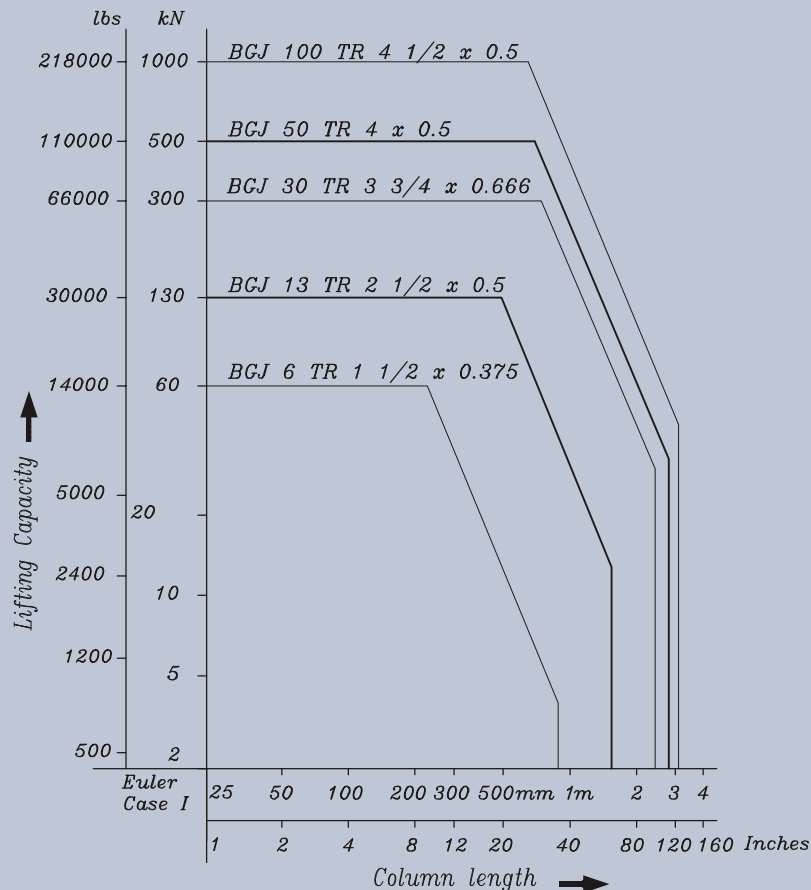


PRELIMINARY SELECTION CHART

Quick Lifting Bevel Gear Actuator BGJ, Imperial Version

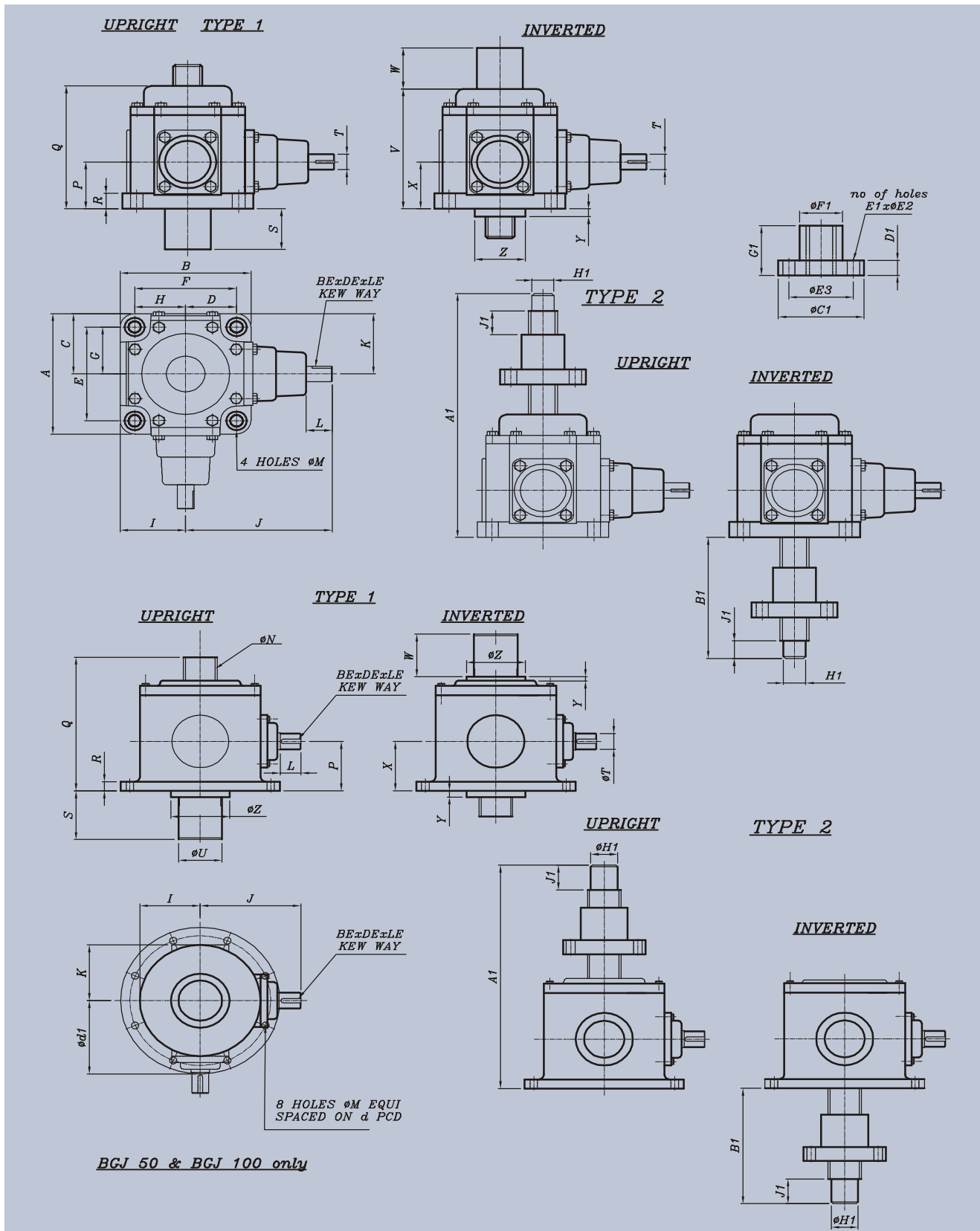
Gearbox Type		Standard Quick Lifting Bevel Gearbox Type				
Nominal size,	BGJ	6	13	30	50	100
Max lifting force	lbs	14000	30000	66000	110000	218000
	kN	60	130	300	500	1000
Lifting screw dia, in		1 1/2	2 1/2	3 3/4	4	4 1/2
Pitch, inx no. of starts	slow	0.375x1	0.5x1	0.666x1	0.5x1	0.5x1
	fast	0.25x1	0.375x2	0.666x2	0.5x2	0.5x2
Bevel gear ratio		2.69:1	2.17:1	3.53:1	3.23:1	3:1
Pinion turns for 1" travel	slow	7.17	4.33	5.3	6.46	6
	fast	5.38	2.89	2.65	3.23	3
Lift per turn of pinion, in	slow	0.139	0.231	0.189	0.15	0.167
	fast	0.186	0.346	0.377	0.31	0.333
Pinion torque for max lifting force, inlbs	slow	826	3330	6470	11280	27250
	fast	924	3990	8845	14250	33575
Screw torque for max lifting force, inlbs	slow	2110	6810	21700	34300	77600
	fast	2370	8160	29568	43300	95500
Total jack efficiency	slow	0.385	0.34	0.31	0.24	0.22
	fast	0.458	0.426	0.46	0.38	0.35
Weight without screw, lbs		43	140	230		650
Weight per inch of screw, lbs		0.8	2.7	4.1	4.5	5.5

Quick Lifting Bevel Gear Actuator BGJ 6 to BGJ 100, Imperial



DIMENSION SHEET

Quick Lifting Bevel Gear Actuator BGJ 6 to BGJ 100, Imperial, Type 1 & Type 2





DIMENSION SHEET

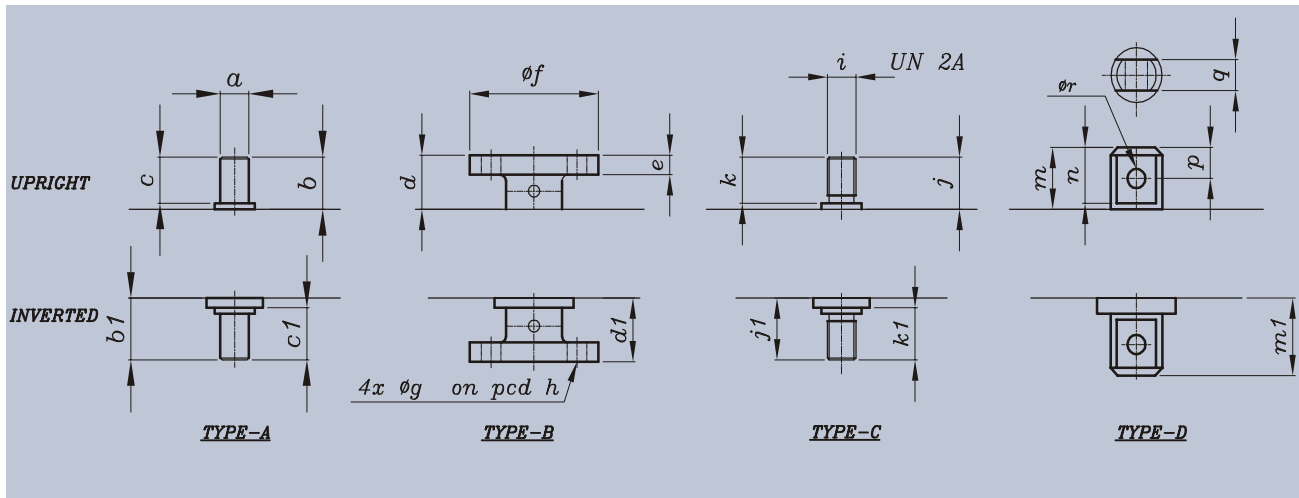
Quick Lifting Bevel Gear Actuator BGJ 6 to BGJ 100, Imperial, Type 1 & Type 2

Model No	BGJ	6	13	30	50	100
Type 1 Travelling Screw	A	6 3/4	9 1/4	11 1/2	-	-
	B	6 3/4	9 1/4	11 1/2	-	-
	C	3 3/8	4 5/8	5 3/4	-	-
	D	3 3/8	4 5/8	5 3/4	-	-
	E	5 1/4	7 5/8	10	-	-
	F	5 1/4	7 5/8	10	-	-
	G	2 5/8	3 13/16	5	-	-
	H	2 5/8	3 13/16	5	-	-
	I	3	4 7/8	6	7 3/32	8
Up Right and Inverted	J	7 9/16	10 5/16	12 1/2	11 7/8	13 13/16
	K	3 15/32	5 15/32	6 21/32	7 3/32	8 5/8
	L	1 11/16	2 9/16	2 5/8	2 3/4	2 7/8
	ØM	21/32	21/32	1 3/16	1 3/16	1 1/16
	ØN	1 1/2	2 1/2	3 1/4	3 15/16	4 1/2
	P	2 5/8	4	4	6 5/16	7 1/4
	Q	6 7/8	9 1/4	10 1/4	13 49/64	16 3/4
	R	7/8	1 1/4	1 1/4	1 3/16	1 1/2
	S	Rise+1/4	Rise+1/2	Rise	Rise+3/4	Rise+5/8
	ØT	0.875 -0.001	1.5 -0.001	1.625 -0.001	2 -0.001	2.5 -0.001
	ØU	2 3/8	3 1/2	4 1/2	5 1/8	5 9/16
	V	6 7/8	9 3/4	10 5/8	13 13/16	18 3/4
	W	Rise+1/16	Rise+1/2	Rise	Rise+3/4	Rise+1/8
	X	2 5/8	4	4	6 5/16	7 1/4
	Y	1/2	1/2	3/4	3/4	1
	ØZ	2 1/2	4	5	5 2/17	5 9/16
	BE	3/16	3/8	3/8	1/2	1/2
	DE	3/32	3/16	3/16	1/4	1/4
	LE	1 1/4	1 3/4	2	2 1/3	1 1/2
	Ød1	-	-	-	18 7/10	20 3/4
d	-	-	-	14 73/76	17 1/4	
Ød3	-	-	-	14 9/52	9 1/4	
Type 2 Travelling Nut Up Right and Inverted	A1	Rise+12	Rise+15 3/4	Rise+22	Rise+26 1/2	Rise+28 3/4
	B1	Rise+6	Rise+6 3/4	Rise+11 1/2	11 7/8	Rise+12
	ØC1	4	7 1/2	9	9 5/8	10
	D1	3/4	1	1 1/2	1 3/4	2
	E1xØE2	4x9/16	4x15/16	6x1 1/16	6x1 1/16	6x1 1/4
	ØE3	3	5 1/2	7	7 7/8	8
	ØF1xG1	2x2 1/2	3 3/4 x3	5x6	5 33/64	6x6
	ØH1XJ1	1 -0.001x 1 1/2	1.75 -0.002x 1 15/16	3 -0.003x 3 1/2	3 9/64 -0.003x 3 9/64	3.5 -0.003x4



TYPES OF HEAD FOR IMPERIAL VERSION

Front Attachment



Model No		BGJ	6	13	30	50	100
Type A Plain end	Up right	Øa	1 -0.002	1.5 -0.005	3 -0.002	3 9/64	4.5 -0.003
		b	1 1/2	1 15/16	4	3 9/64	7
		c	1 1/2	1 15/16	3 1/2	3 9/64	6 3/4
	Inverted	b1	2	2 3/16	4 1/8	3 5/8	8
c1		1 1/2	1 15/16	3 1/2	3 9/64	7	
Type B Flange end	Up right	d	1 3/4	2 1/4	3	3 9/64	2
		e	5/8	3/4	1	1 1/8	1 3/4
		Øf	4 1/2	5 3/4	8 1/2	10 1/4	11 1/4
		Øg	11/16	13/16	1 1/16	1 1/4	1 3/8
	Øh	3	4 1/8	6	7 7/8	8 3/4	
Inverted	d1	2 1/16	2 1/4	3 1/4	3 5/8	3	
Type C Threaded end	Up right	j	1 1/2	1 15/16	4	4	4 1/2
		k	1 1/2	1 15/16	3 1/2	3 9/64	4 1/4
		i UN	1-14	1 3/4-12	3-12	3 1/2- 4	4-4
	Inverted	j1	2	2 1/4	4 1/4	4 1/2	5 1/2
k1		1 1/2	1 15/16	3 1/2	3 9/64	4 1/2	
Type D Clevis end	Up right	m	2	2 3/4	4 1/2	4	5 1/4
		n	2	2 3/4	4	3 3/4	5
		p	1	1 3/8	2	1 7/8	2 1/2
		q	1 -0.005	1.75 -0.005	2.5 -0.002	3 -0.005	3.25 -0.005
		Ør	5/8	1 1/8	1 1/2	1 25/32	1 25/32
	Inverted	m1	2 1/2	3	3/8	6 1/4	6 1/4



Power Transmission Technology



Bevel Drives



Electric Cylinder



Motorized Linear Actuator



'L'/'T' Drives



Phase Shifter



Worm Gear Jack



Universal Joint



Universal Joint



Universal Joint



Gears and Gear Drives (India) Pvt. Ltd.

(ISO 9001 : 2008 Certified)

585, 1st Stage, Indiranagar, Bangalore 560 038. India
Tel.: +91(0)80 25281306 / 25214271 Fax: +91 (0)80 25283584.
Email: info@gearsandgeardrives.com
Website : www.gearsandgeardrives.com

ISO : 9001 - 2008

